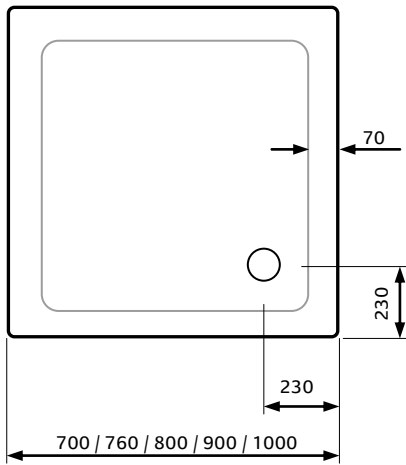


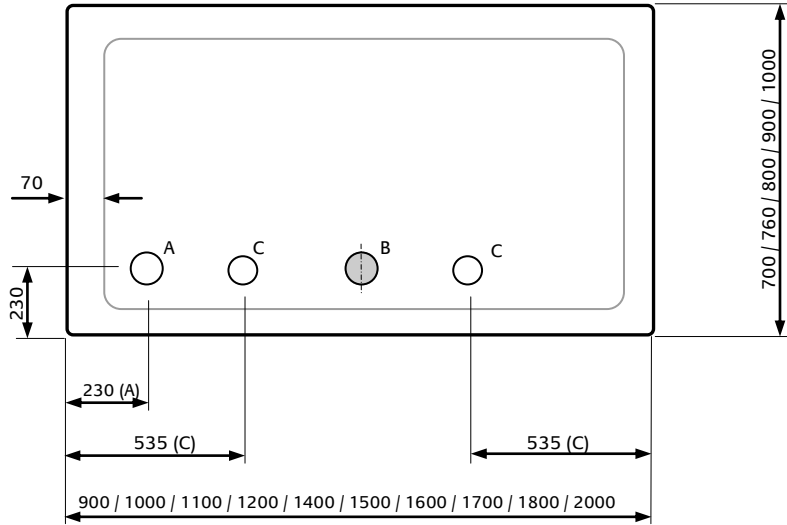
Lakes Contemporary Lightweight Trays.

Low Profile (40mm) ABS capped reinforced resin.

Square

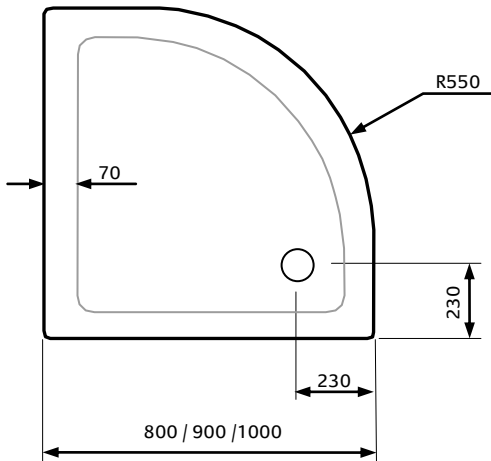


Rectangular

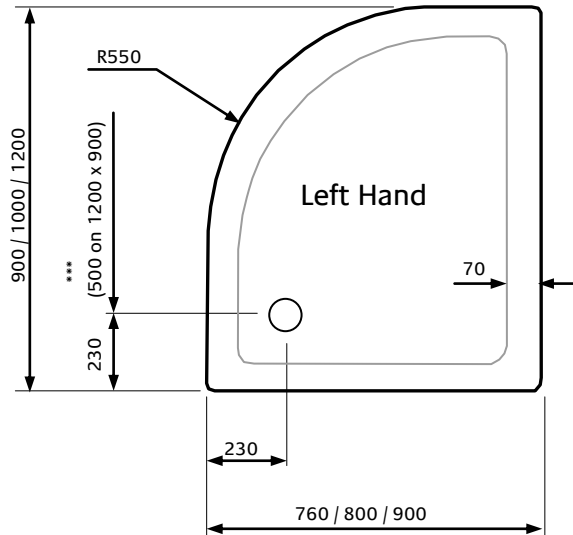
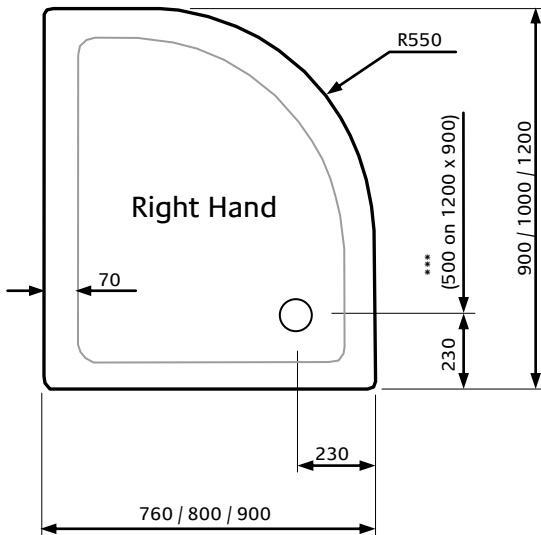


Note : Waste position options—A,B,C (see table).

Quadrant

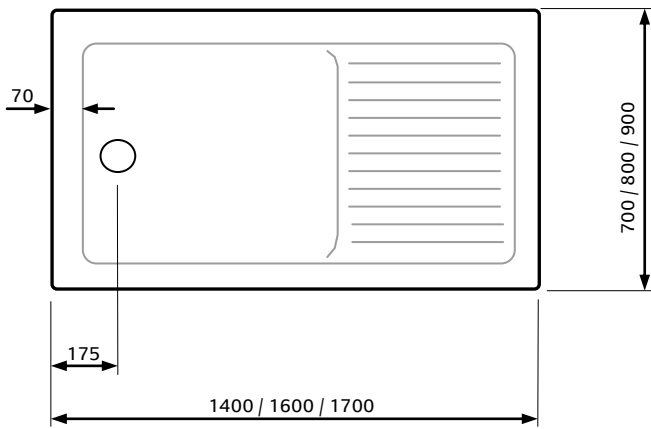


Offset Quadrant

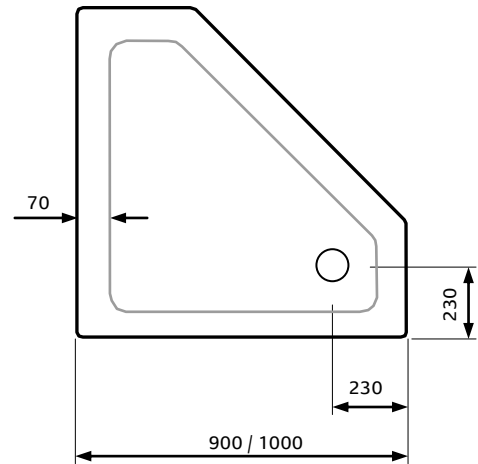


Lakes Contemporary Lightweight Trays. Continued

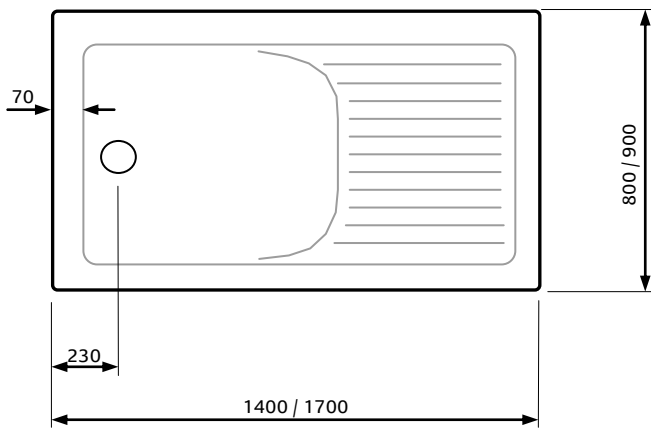
Rectangular Walk In (Square Drying Area)



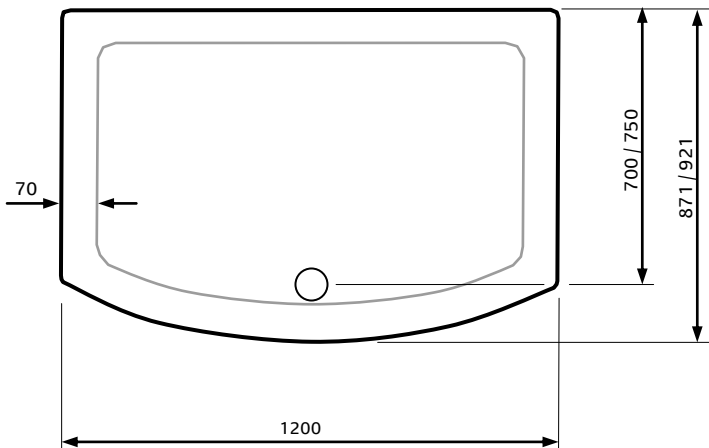
Pentagon



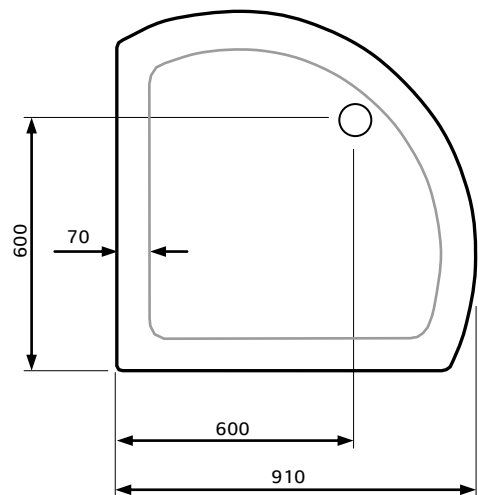
Rectangular Walk In (Curved Drying Area)



Bowfront Slider



Curved Corner Slider



Lakes Contemporary Lightweight Tray Data

Tray Type	Product Code	Size (mm)	Material / Remarks	Legs & Panel Kit	Weight (kg)
SQUARE	LKTS77	700 x 700	ABS capped reinforced polyurethane resin. 90mm Waste	LKT EP KIT 1	7
	LKTS7676	760 x 760			8.5
	LKTS88	800 x 800			9.5
	LKTS99	900 x 900			11.5
	LKTS11	1000 x 1000			13.5
RECTANGULAR	LKTR9076	900 x 760	ABS capped reinforced polyurethane resin. 90mm Waste ~ Position A (single corner).	LKT EP KIT 1	7.6
	LKTR9080	900 x 800			8
	LKTR7010	1000 x 700			8
	LKTR7610	1000 x 760			8.5
	LKTR8010	1000 x 800			9
	LKTR9010	1000 x 900			9.5
	LKTR7011	1100 x 700			9
	LKTR7611	1100 x 760			9.3
	LKTR8011	1100 x 800			10
	LKTR9011	1100 x 900			11
	LKTR7012	1200 x 700			9.5
RECTANGULAR	LKTR7612	1200 x 760	ABS capped reinforced polyurethane resin. 90mm Waste ~ Position B (single centre).	LKT EP KIT 1	10
	LKTR8012	1200 x 800			10.5
	LKTR9012	1200 x 900			11.5
	LKTR1012	1200 x 1000			12.5
	LKTR8014	1400 x 800			12
	LKTR9014	1400 x 900			14
	LKTR7015	1500 x 700			12
	LKTR7615	1500 x 760			12.2
	LKTR8015	1500 x 800			12.5
	LKTR7016	1600 x 700			13
	LKTR8016	1600 x 800			13.5
	LKTR9016	1600 x 900			16
	LKTR7017	1700 x 700			13.5
	LKTR7617	1700 x 760			14
	LKTR8017	1700 x 800			15
	LKTR9017	1700 x 900			17
	LKTR1017	1700 x 1000			18
	LKTR8018	1800 x 800			Not Suitable for raised installation
	LKTR9018	1800 x 900		17	
	LKTR1018	1800 x 1000		20	
RECTANGULAR	LKTR8020	2000 x 800	ABS capped reinforced polyurethane resin. 2x 90mm Waste ~ Positions C.		18
	LKTR9020	2000 x 900			20
	LKTR1020	2000 x 1000			22

Lakes Contemporary Lightweight Tray Data

Tray Type	Product Code	Size (mm)	Material / Remarks	Legs & Panel Kit	Weight (kg)
QUADRANT	LKTQ88	800 x 800	ABS capped reinforced polyurethane resin. 90mm Waste	LKT EP KIT 2	8.5
	LKTQ99	900 x 900			10
	LKTQ11	1000 x 1000			12.5
OFFSET QUADRANT	LKTQ9076L	900 x 760	ABS capped reinforced polyurethane resin. 90mm Waste (230x 230 corner waste position)	LKT EP KIT 3	8.5
	LKTQ9076R				
	LKTQ9080L	900 x 800			9
	LKTQ9080R				
	LKTQ8010L	1000 x 800			10
	LKTQ8010R				
	LKTQ8012L	1200 x 800			13
	LKTQ8012R				
	LKTQ9012L	1200 x 900			ABS capped reinforced polyurethane resin. 90mm Waste (500 x 230 edge waste position ***)
LKTQ9012R					
RECTANGULAR Walk In (Square form)	LKTW9014	1400 x 900	ABS capped reinforced polyurethane resin. 90mm Waste	LKT EP KIT 1	18
	LKTW8016	1600 x 800			18
	LKTW8017	1700 x 800			18.5
RECTANGULAR Walk In (Curved form)	LKTWC9014	1400 x 900			18
	LKTWC8017	1700 x 800			20
PENTAGON	LKTP99	900 x 900	ABS capped reinforced polyurethane resin. 90mm Waste	LKT EP KIT 4	10.5
	LKTP11	1000 x 1000			11

Bespoke (40mm) Reinforced Resin Trays

BOWFRONT SLIDER	LKTBF700	1200 x 871	ABS capped reinforced polyurethane resin. 90mm Waste	LKT EP KIT 6	10.5
	LKTBF750	1200 x 921			11.5
CURVED CORNER SLIDER	LKTSDQ900	910 x 910	ABS capped reinforced polyurethane resin. 90mm Waste	LKT EP KIT 5	8

Easy Plumb Kits for Reinforced Resin Trays (nominally 100mm tall)

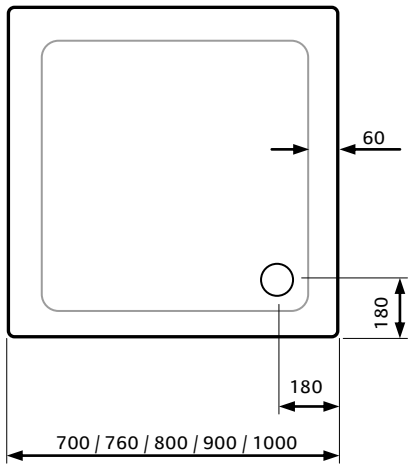
Comprising ALL legs, panels & fixings.

Order Code	Description
LKT EP KIT 1	Square / Rectangular (1700 x 1000mm)
LKT EP KIT 2	Quadrant (1000mm)
LKT EP KIT 3	Offset Quadrant (1200mm)
LKT EP KIT 4	Pentagon (1000mm)

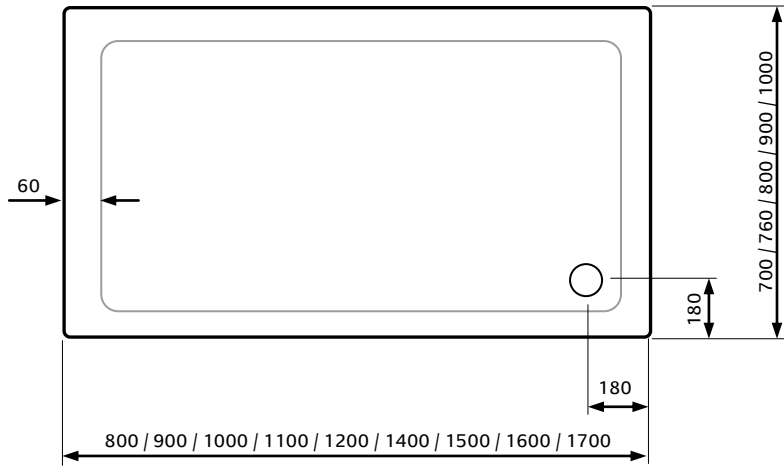
Lakes Traditional Stone Resin Trays.

Standard Height (80mm) ABS capped stone resin.

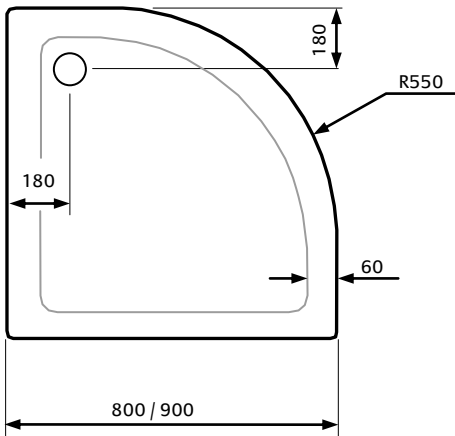
Square



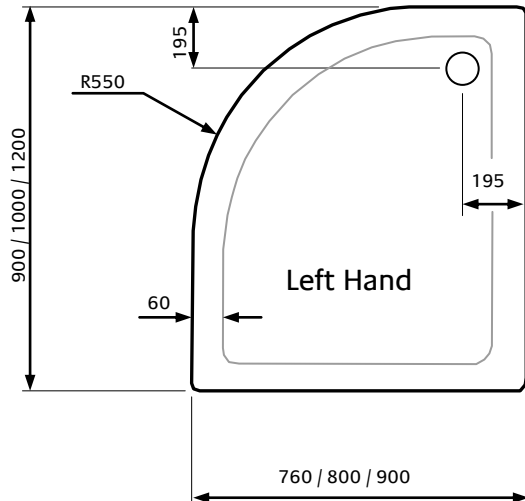
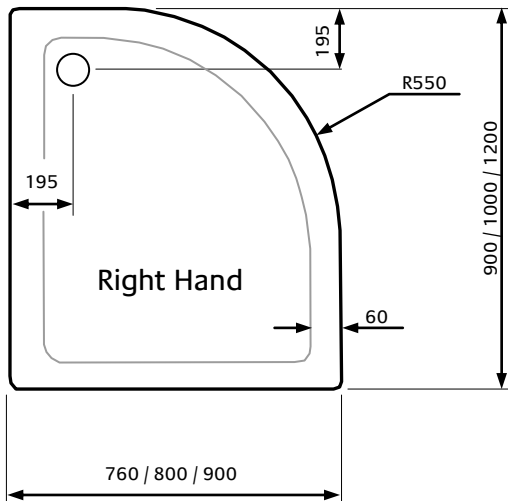
Rectangular



Quadrant



Offset Quadrant



Lakes Traditional Stone Resin Tray Data—Standard Height (80mm)

Tray Type	Product Code	Size (mm)	Material / Remarks	Legs & Panel Kit	Weight (kg)
SQUARE	ZZTS77	700 x 700	ABS capped stone resin. 50mm Waste	AZT EP KIT SR12	22.5
	ZZTS7676	760 x 760			29
	ZZTS88	800 x 800			30
	ZZTS99	900 x 900			36
	ZZTS11	1000 x 1000		AZT EP KIT SR17	44

RECTANGULAR	ZZTR7080	800 x 700	ABS capped stone resin. 50mm Waste	AZT EP KIT SR12	24
	ZZTR7090	900 x 700			31.5
	ZZTR9076	900 x 760			32
	ZZTR9080	900 x 800			34
	ZZTR7010	1000 x 700			37
	ZZTR7610	1000 x 760			38
	ZZTR8010	1000 x 800			38
	ZZTR9010	1000 x 900			38
	ZZTR7011	1100 x 700			38
	ZZTR7611	1100 x 760			40
	ZZTR8011	1100 x 800			40
	ZZTR7012	1200 x 700			42
	ZZTR7612	1200 x 760			46.5
	ZZTR8012	1200 x 800			48.5
	ZZTR9012	1200 x 900		52.5	
	ZZTR1012	1200 x 1000		AZT EP KIT SR17	66
	ZZTR8014	1400 x 800		55	
	ZZTR9014	1400 x 900		66	
	ZZTR7615	1500 x 760		60	
ZZTR8016	1600 x 800	65			
ZZTR7017	1700 x 700	65			

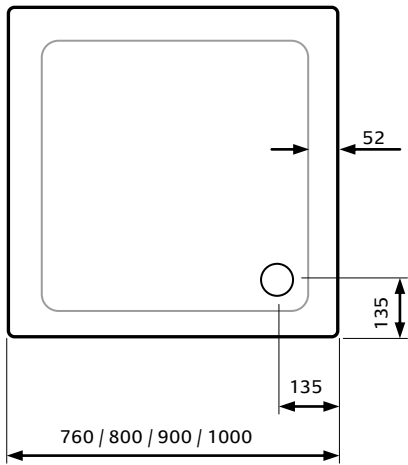
QUADRANT	ZZTQ88	800 x 800	ABS capped stone resin. 50mm Waste	AZT EP KIT Q10	28
	ZZTQ99	900 x 900			34

OFFSET QUADRANT	ZZTQ9076L	900 x 760	ABS capped stone resin. 50mm Waste	AZT EP KIT Q12	30
	ZZTQ9076R				
	ZZTQ9080L	900 x 800			31
	ZZTQ9080R				
	ZZTQ8010L	1000 x 800			38
	ZZTQ8010R				
	ZZTQ8012L	1200 x 800			44
	ZZTQ8012R				
	ZZTQ9012L	1200 x 900			52
ZZTQ9012R					

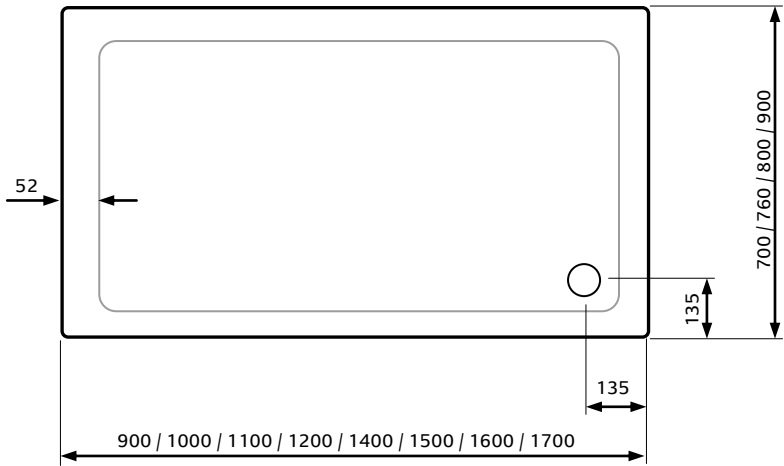
Lakes Traditional Stone Resin Trays.

Low Profile (45mm) ABS capped stone resin.

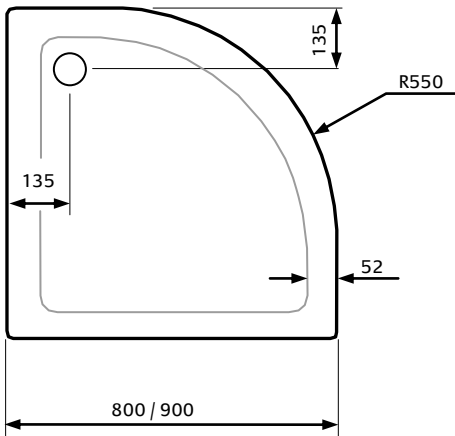
Square



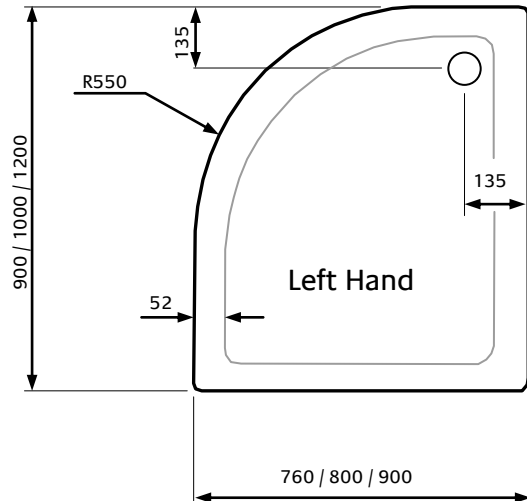
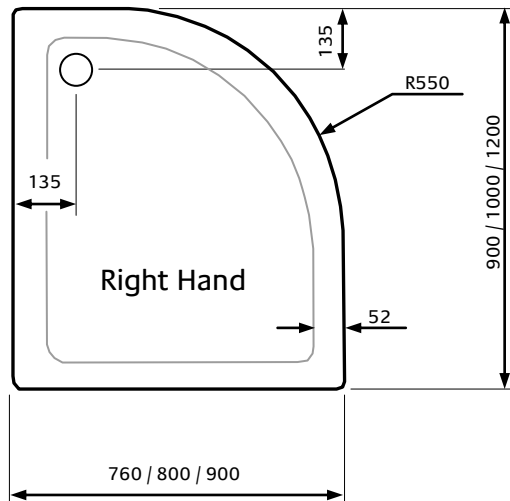
Rectangular



Quadrant



Offset Quadrant



Lakes Traditional Stone Resin Tray Data—Low Profile (45mm)

Tray Type	Product Code	Size (mm)	Material / Remarks	Legs & Panel Kit	Weight (kg)
SQUARE	AATS7676	760 x 760	ABS capped stone resin. 90mm Waste	AZT EP KIT SR12	14
	AATS88	800 x 800			16
	AATS99	900 x 900			18.5
	AATS11	1000 x 1000		AZT EP KIT SR17	22.5
RECTANGULAR	AATR9076	900 x 760	ABS capped stone resin. 90mm Waste	AZT EP KIT SR12	20
	AATR9080	900 x 800			20
	AATR7610	1000 x 760			18
	AATR8010	1000 x 800			18
	AATR9010	1000 x 900			20
	AATR7612	1200 x 760			24.5
	AATR7612	1200 x 800			25
	AATR9012	1200 x 900			26
	AATR9014	1400 x 900			AZT EP KIT SR17
	AATR8016	1600 x 800		30	
	AATR7017	1700 x 700		30	
	QUADRANT	AATQ88		800 x 800	ABS capped stone resin. 90mm Waste
AATQ99		900 x 900	18		
OFFSET QUADRANT	AATQ9076L	900 x 760	ABS capped stone resin. 90mm Waste	AZT EP KIT Q12	20
	AATQ9076R				
	AATQ8010L	1000 x 800			20.5
	AATQ8010R				
	AATQ8012L	1200 x 800			22
	AATQ8012R				
	AATQ9012L	1200 x 900			24
	AATQ9012R				

Easy Plumb Kits for Stone Resin Trays (nominally 95mm tall)

Comprising ALL legs, panels & fixings.

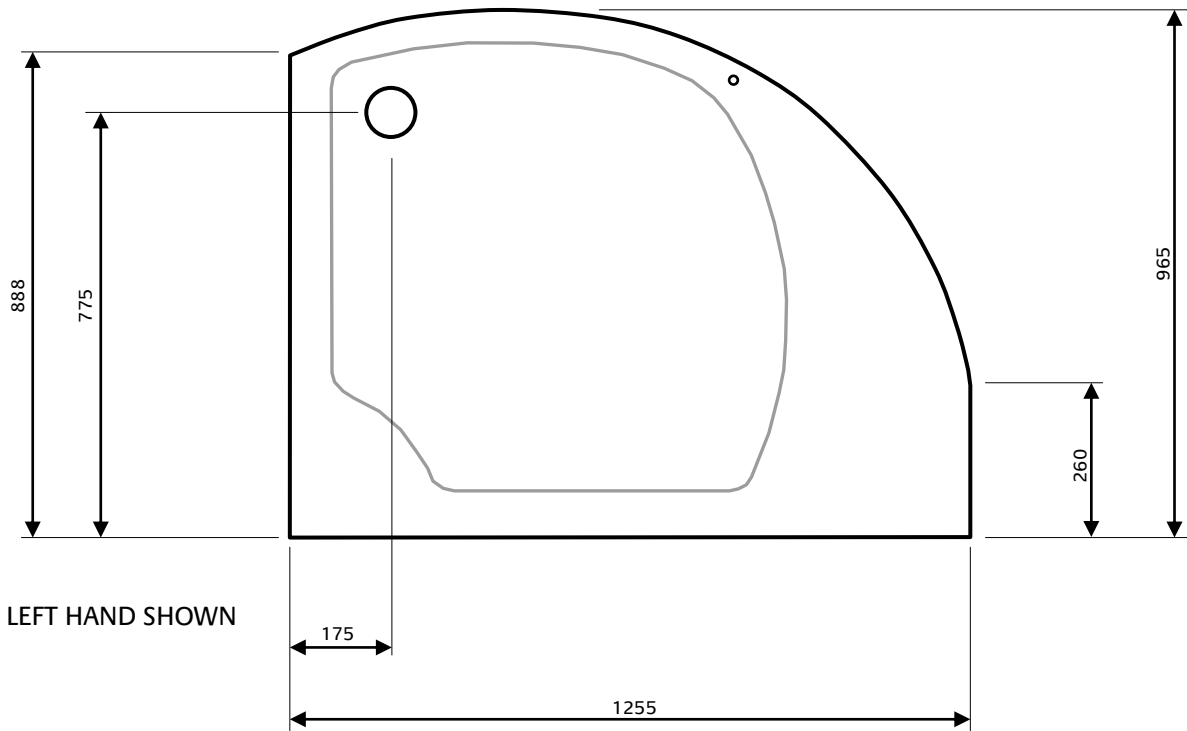
Order Code	Description
AZT EP KIT SR12	Square / Rectangular (1200 x 900mm)
AZT EP KIT SR17	Square / Rectangular (1700 x 1000mm)
AZT EP KIT Q10	Quadrant (1000mm)
AZT EP KIT Q12	Offset Quadrant (1200mm)

Wastes

Order Code	Description
ZZT WASTE	50mm Waste (80mm Stone Resin Trays)
01LKT WASTE	90mm High Flow Waste (All Low Profile Trays)

Lakes Compartment Enclosure Stone Resin Tray.

Low Profile (40mm) GEL coated stone resin.



Tray Type	Product Code	Size (mm)	Material / Remarks	Weight (kg)
COMPARTMENT ENCLOSURE	LKCE-900L	1255 x 965	Gel coated stone resin. Low Profile 40mm. 90mm Waste	45
	LKCE-900R			
	LKCE-900L EP	Gel coated stone resin. Low Profile 40mm. Complete with EP kit (nominally 95mm). 90mm Waste	50	
	LKCE-900R EP			

Lakes Bathrooms

Alexandra Way, Ashchurch, Tewkesbury, Gloucestershire GL20 8NB
 Tel 01684 853870 Fax 01684 853884 Email info@lakesbathrooms.co.uk
www.lakesbathrooms.co.uk



Lakes
Bathrooms

SUPERIOR AS STANDARD